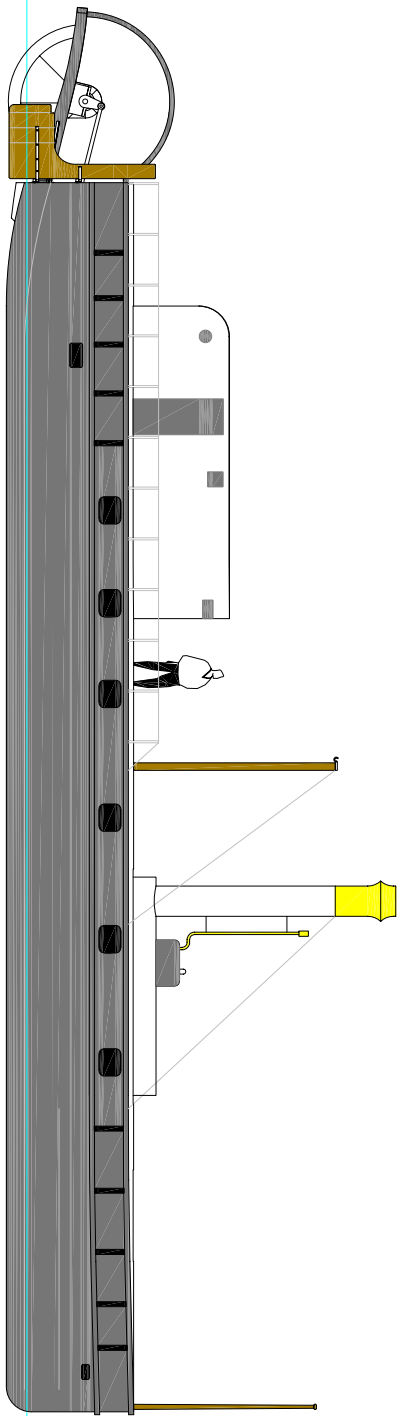
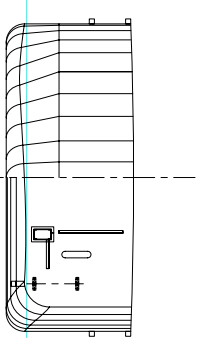


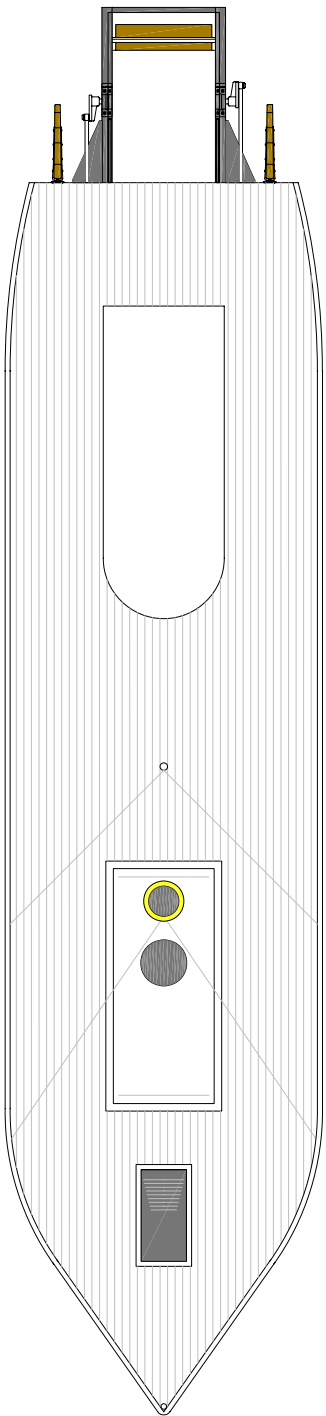
NOTES:



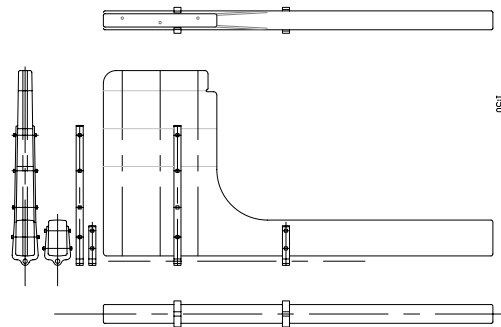
ELEVATION
1:50



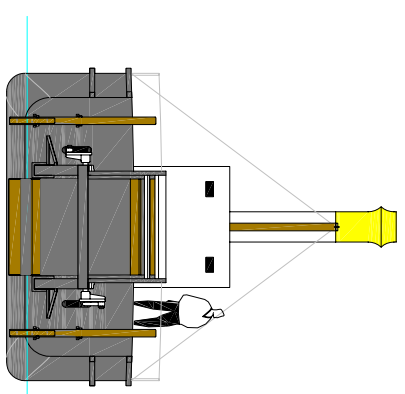
STATIONS
1:50



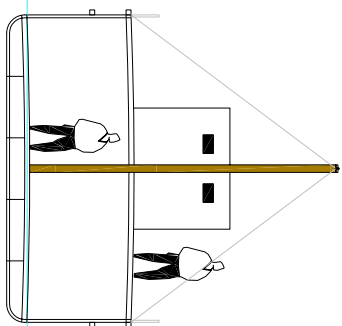
PLAN
1:50



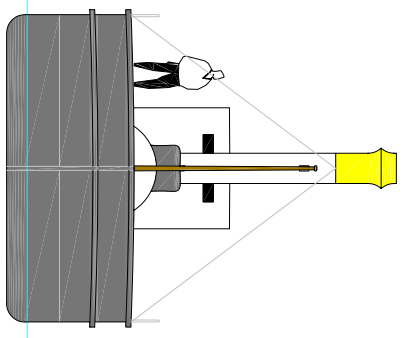
RUDDER
1:50



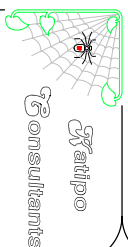
STERN VIEW
1:50



MID-SECTION
1:50



VIEW ON BOWS
1:50



PROJECT: ps Romofiri - 1864
Historic River Steamer
TITLE: As Built
General
Arrangement.

Drawn: H.H.D. Job No. 06010
Scale: 1:50 Sheet No. 1
Date: Dec. 2006 of 1