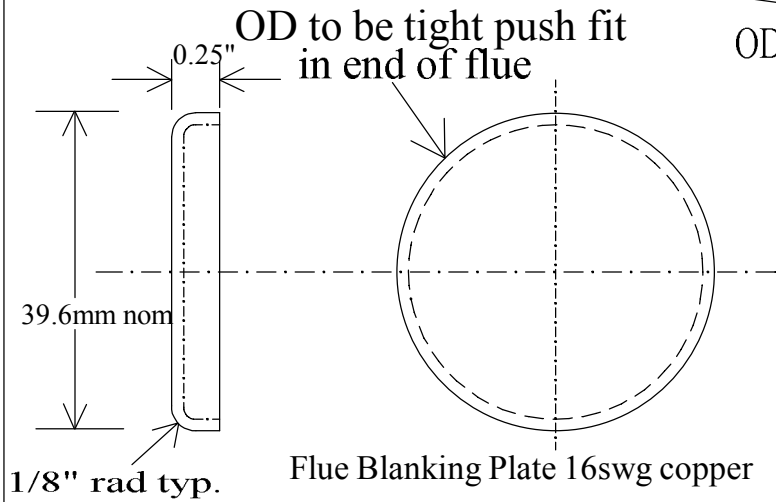
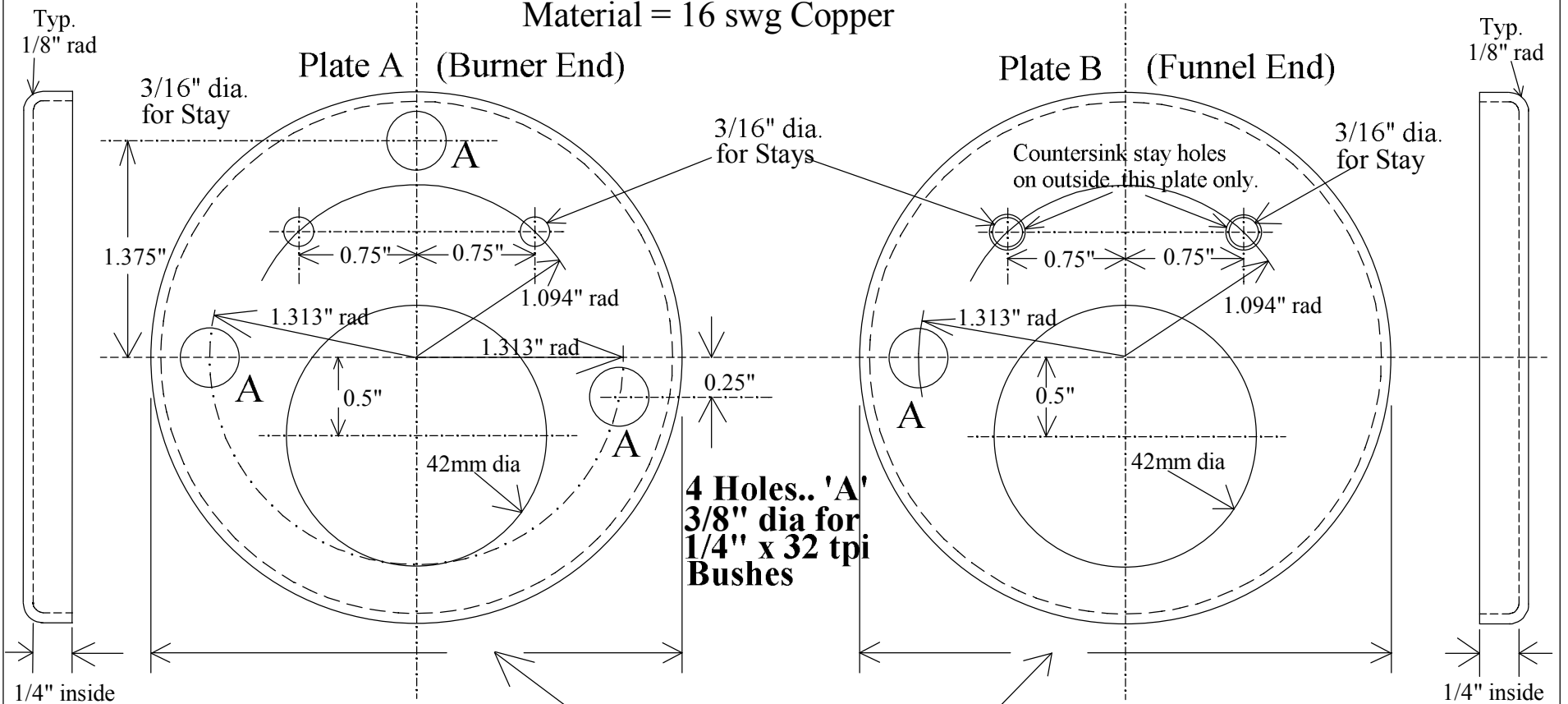


**Main Plates**  
Material = 16 swg Copper



OD to be tight push fit in main barrel  
3.372" - 3.375" typ.

|   |        |                  |
|---|--------|------------------|
| <b>PDH Horizontal Centre Flue Boiler</b><br>Boiler plate dimensions |        |                  |
| Drawn: A.F.Campbell   |        | Scale: Full Size |
| Date: 14/10/06  | Rev: B | Sheet: 3 of 4    |
| ACS Engineering, Argyll, Scotland, UK.                              |        |                  |