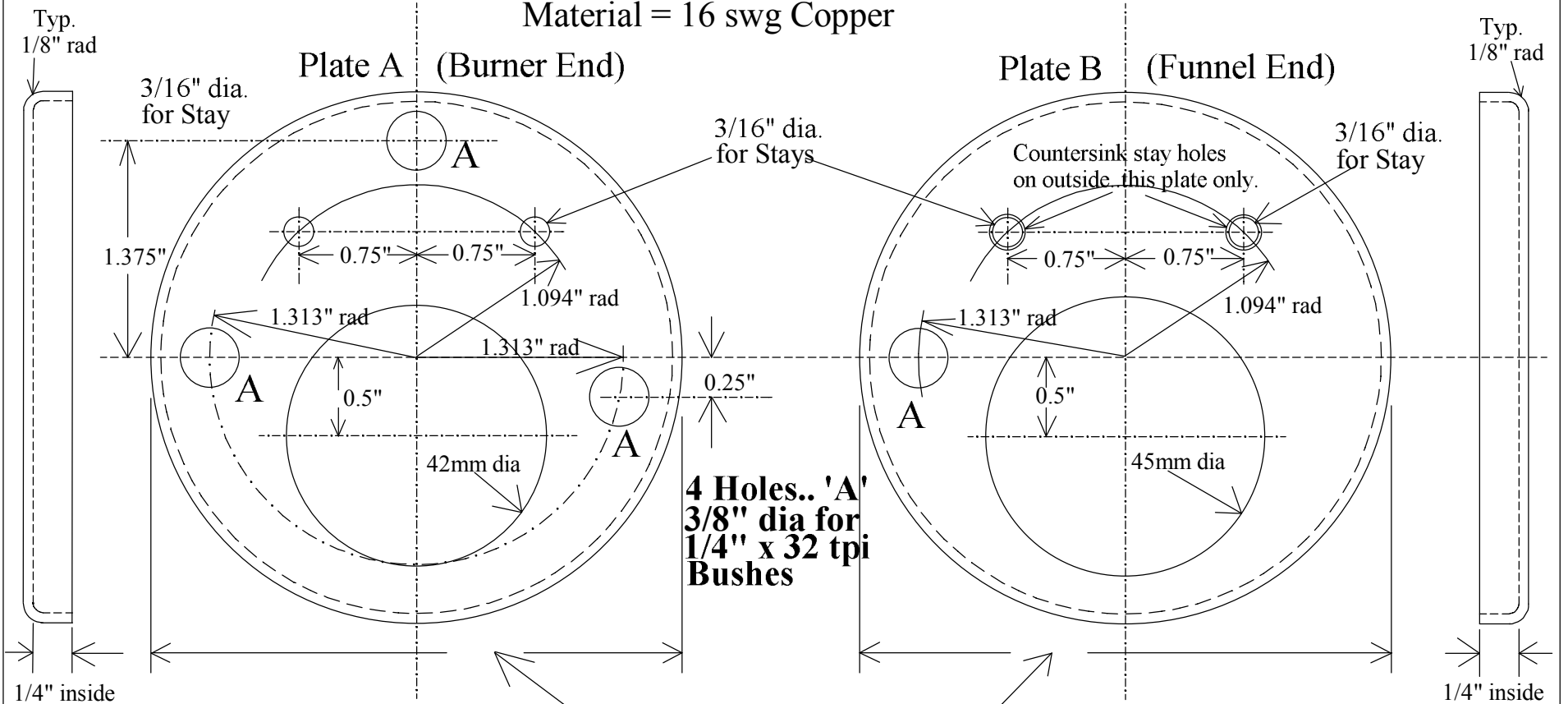
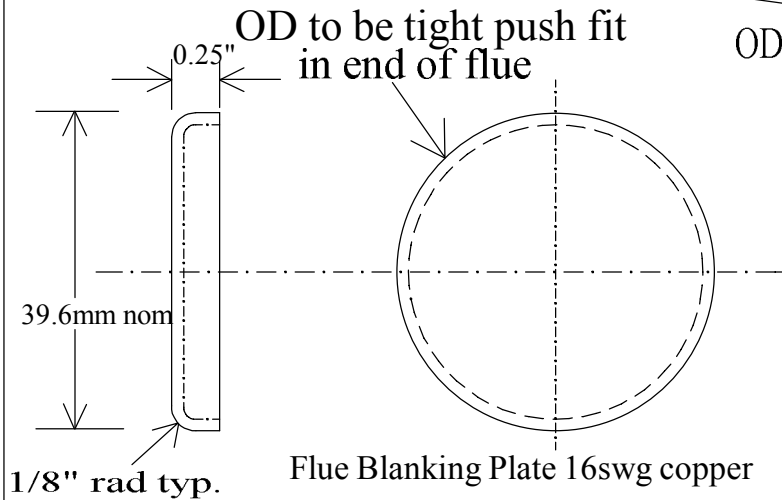


Main Plates
Material = 16 swg Copper



4 Holes.. 'A'
3/8" dia for
1/4" x 32 tpi
Bushes



Flue Blanking Plate 16swg copper

PDH Horizontal Centre Flue Boiler Boiler plate dimensions		
Drawn: A.F.Campbell		Scale: Full Size
Date: 14/10/06	Rev: A	Sheet: 3 of 4
ACS Engineering, Argyll, Scotland, UK.		