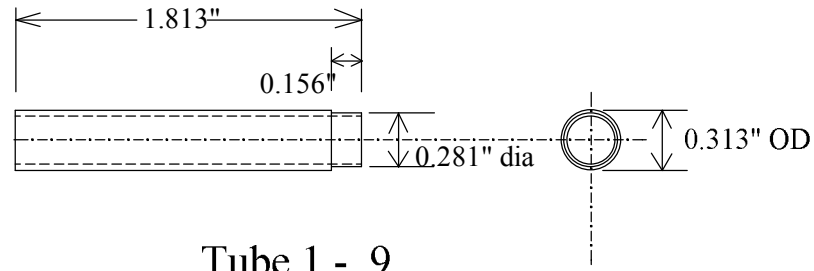
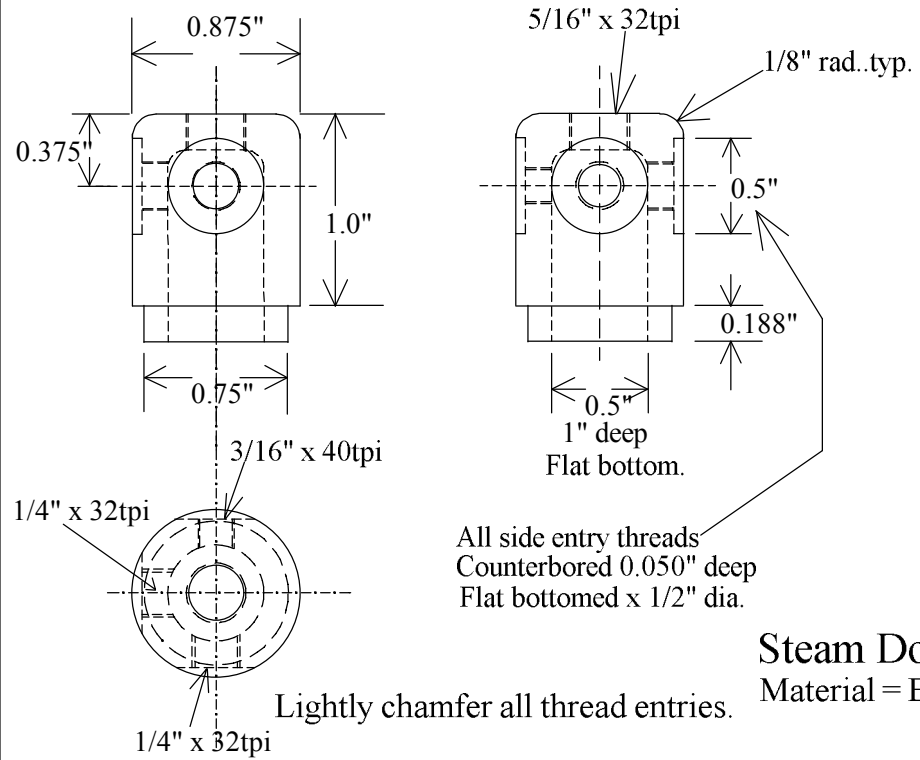


Funnel adaptor...make from ENDEX 28mm straight coupler.
 Part off to 7/8" long...bore out inner tube stop..
 Turn 1/4" spigot to 30mm dia at same setting.

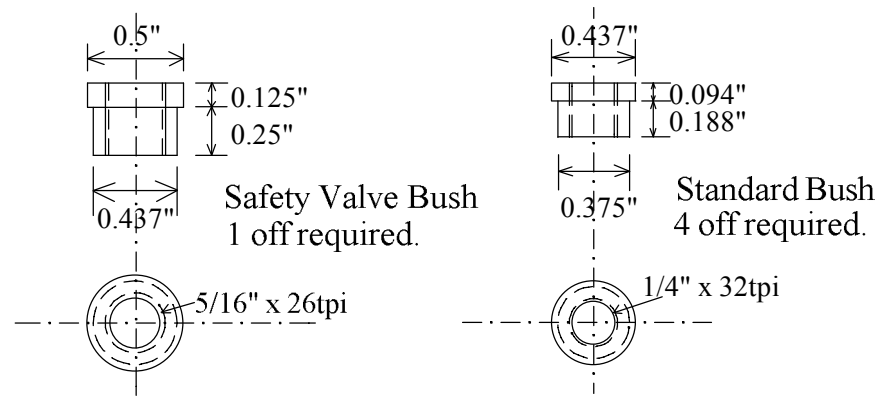


Tube 1 - 9

Tube material = 5/16" OD x 20swg
 solid drawn Copper.



All side entry threads
 Counterbored 0.050" deep
 Flat bottomed x 1/2" dia.
Steam Dome
 Material = Bronze.



Bush Material = SAE 660 leaded Bronze.

| | | |
|---|--------|------------------|
| PDH Horizontal Centre Flue Boiler Water tubes, bushes and fittings details | | |
| Drawn: A.F.Campbell | | Scale: Full Size |
| Date: 14/10/06 | Rev: A | Sheet: 4 of 4 |
| ACS Engineering, Argyll, Scotland, UK. | | |